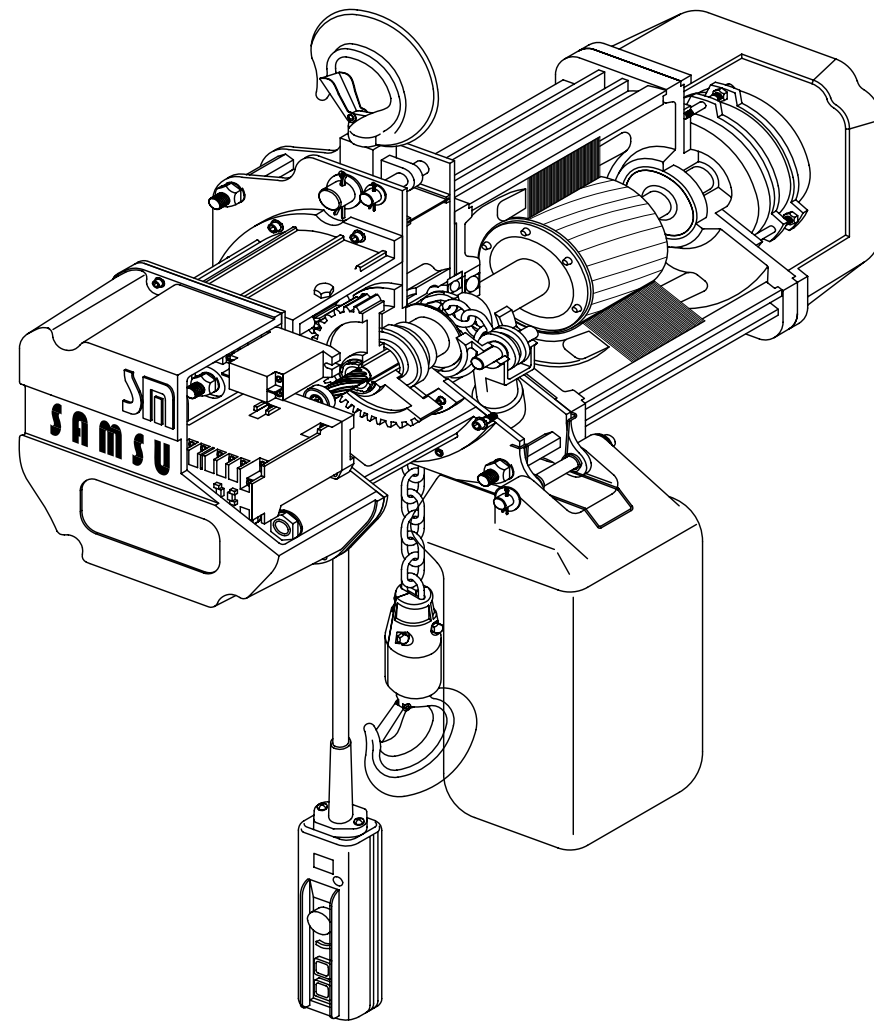


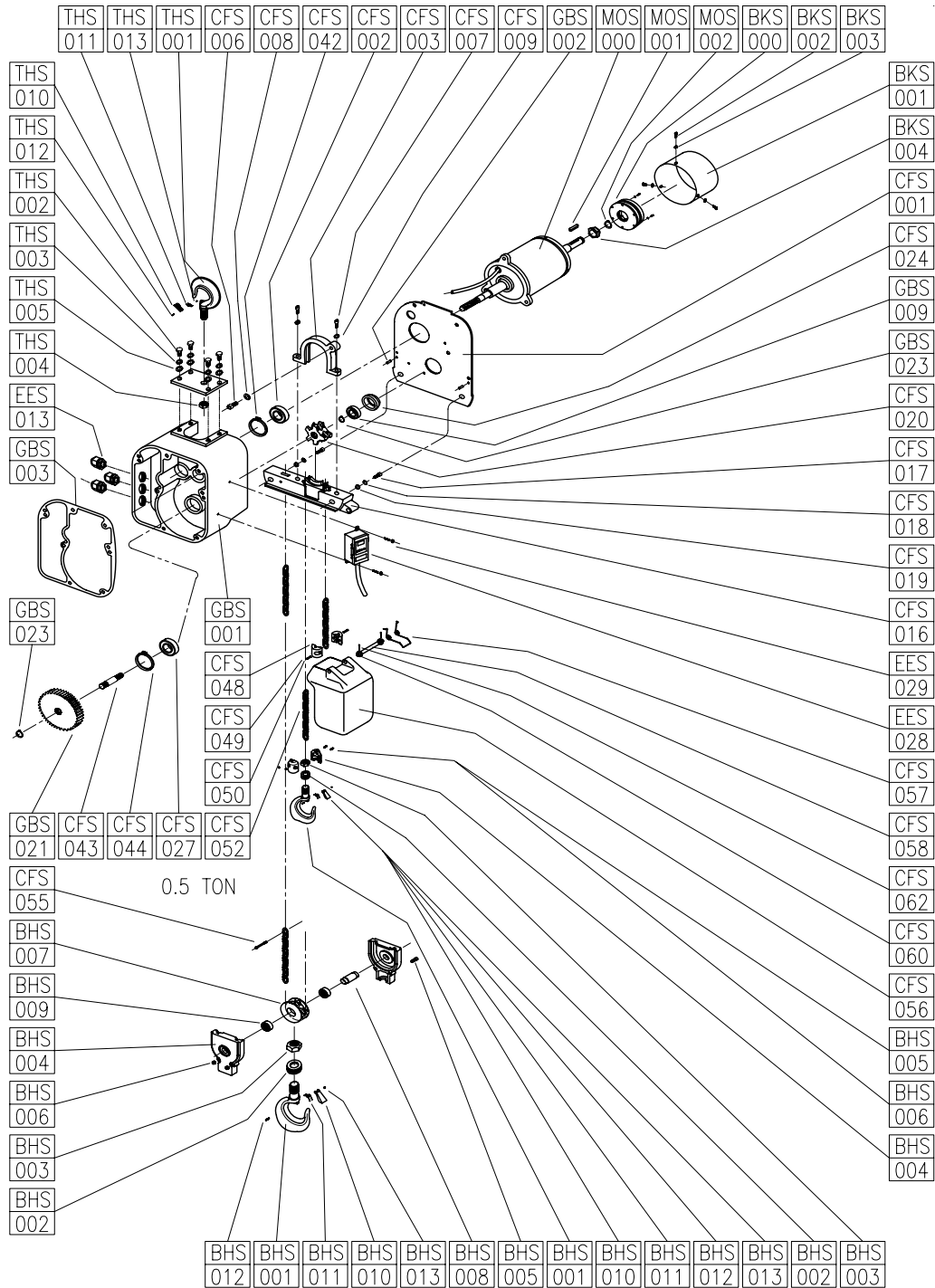
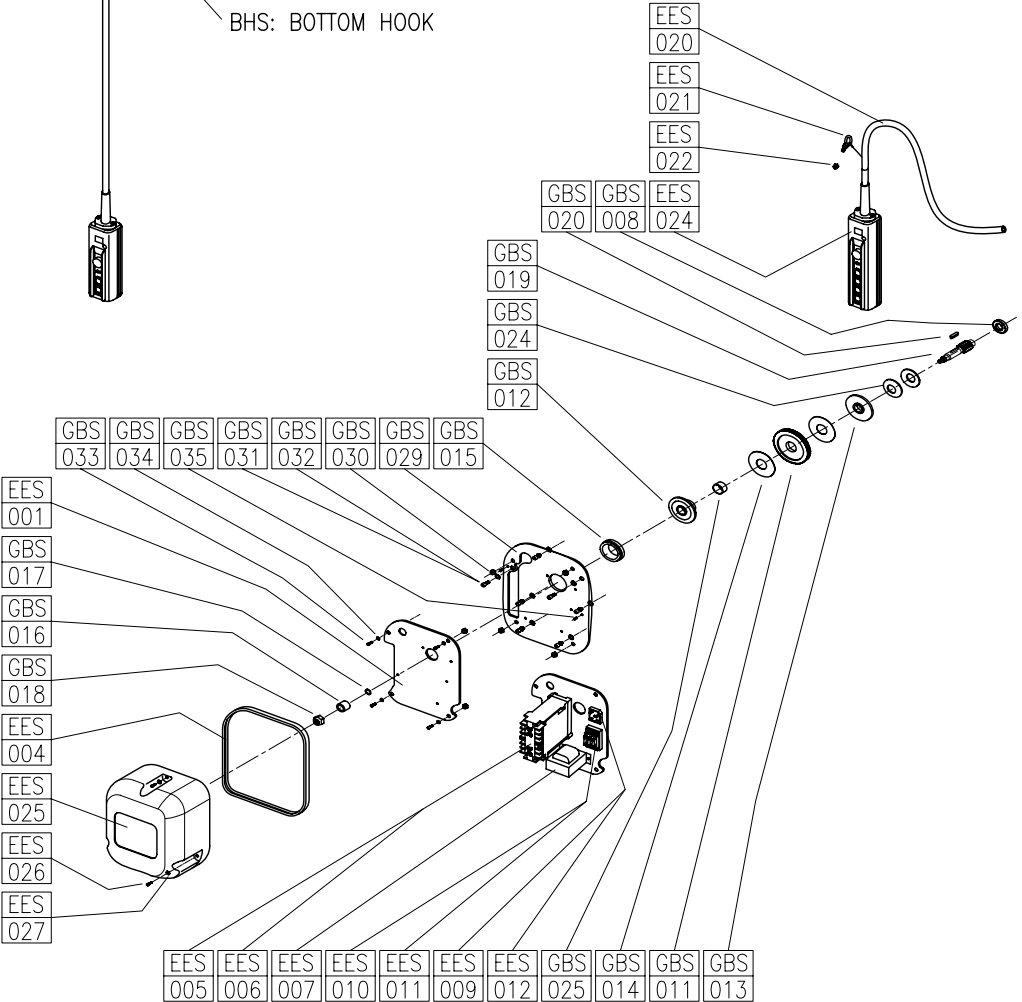
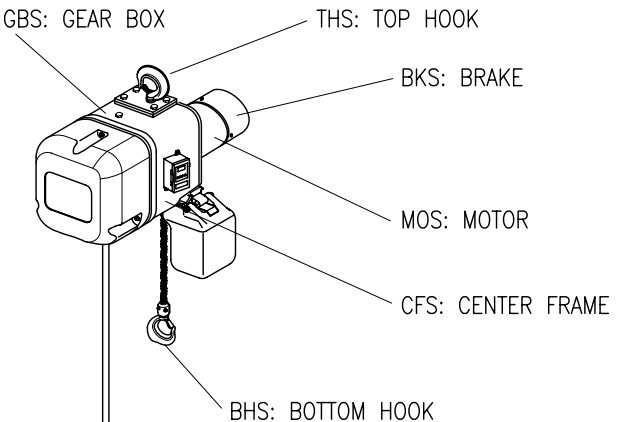
MARCH 2010

# ELECTRIC CHAIN HOIST PART LIST



**SM** SAMSUNG MACHINERY CO., LTD.

# Exploded View of Chain hoist Parts A-FRAME (0.25, 0.5 Ton)

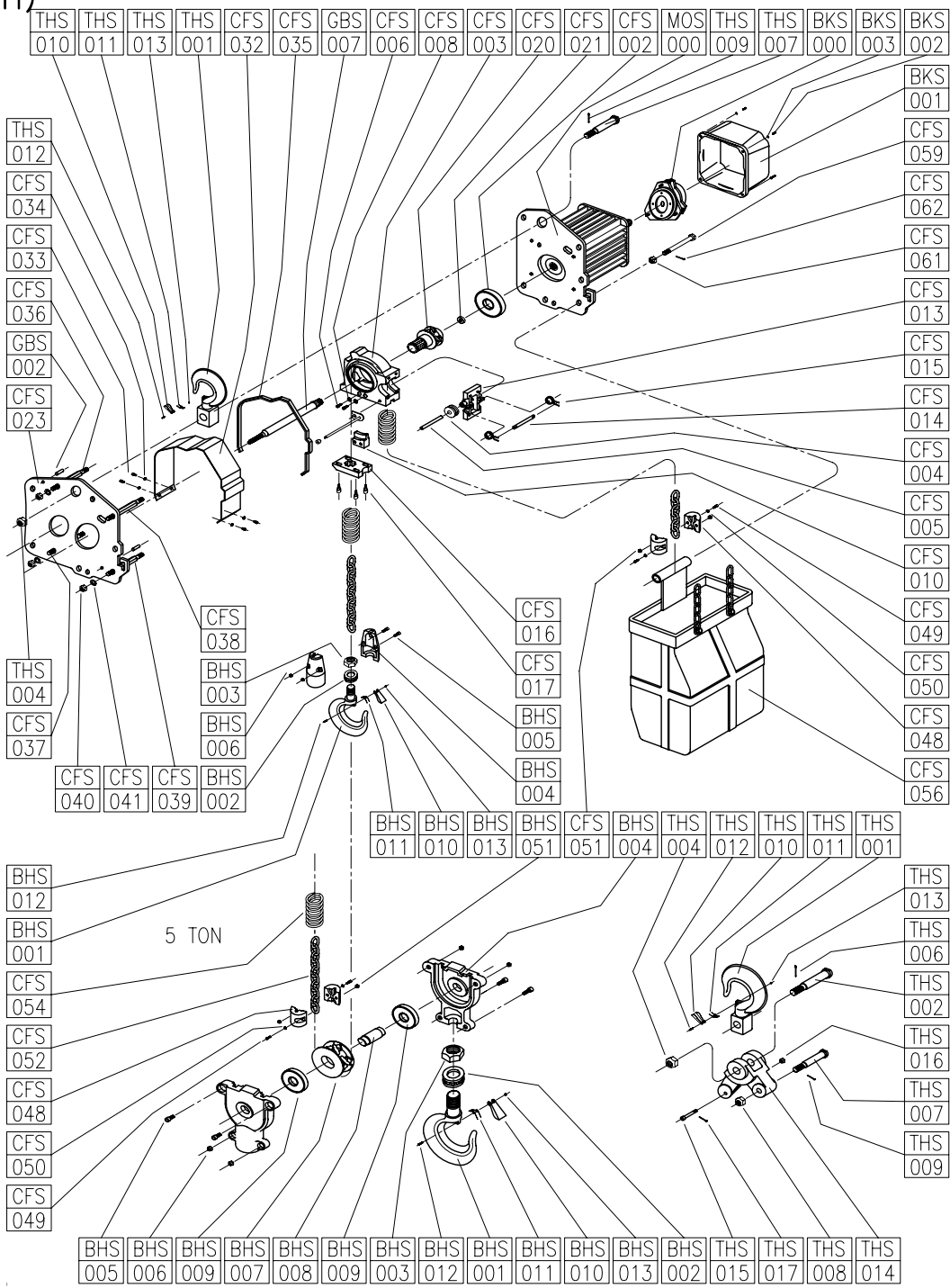
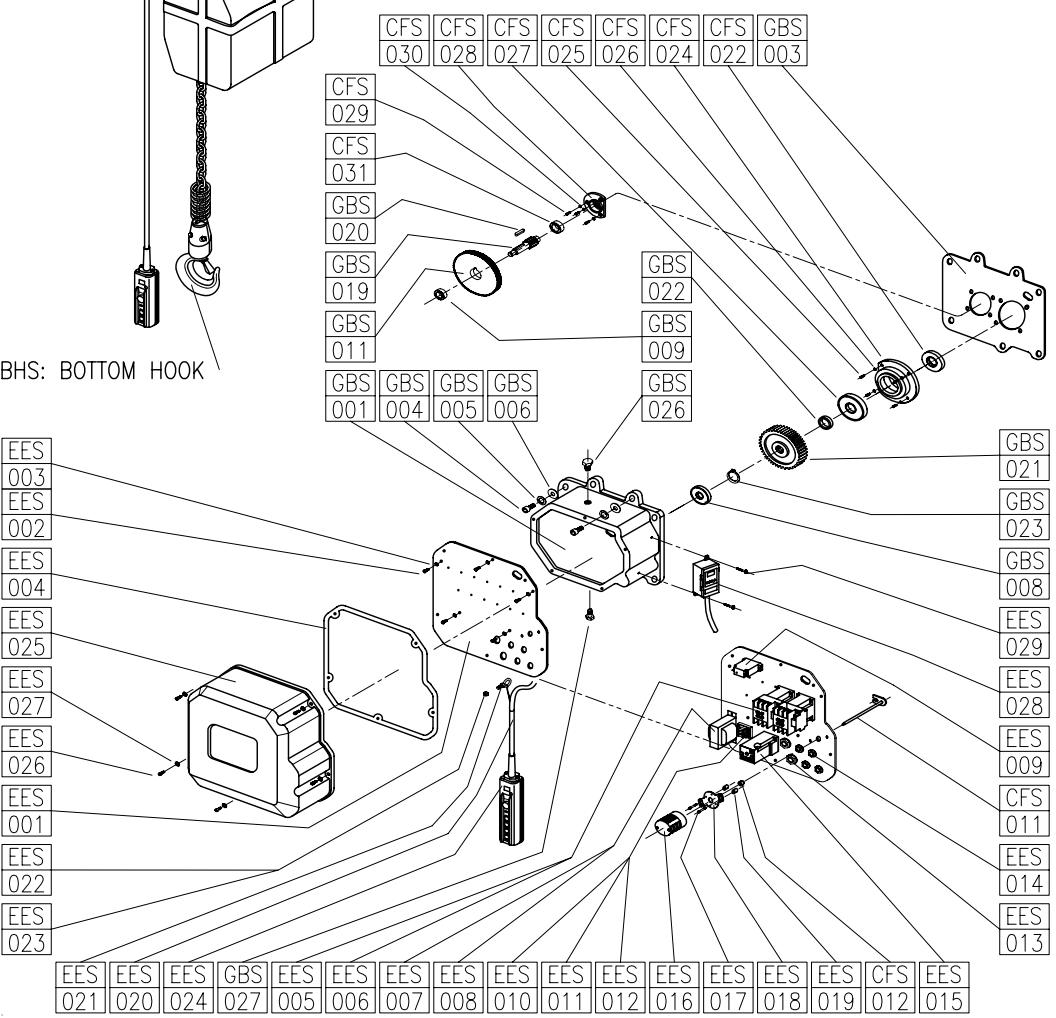




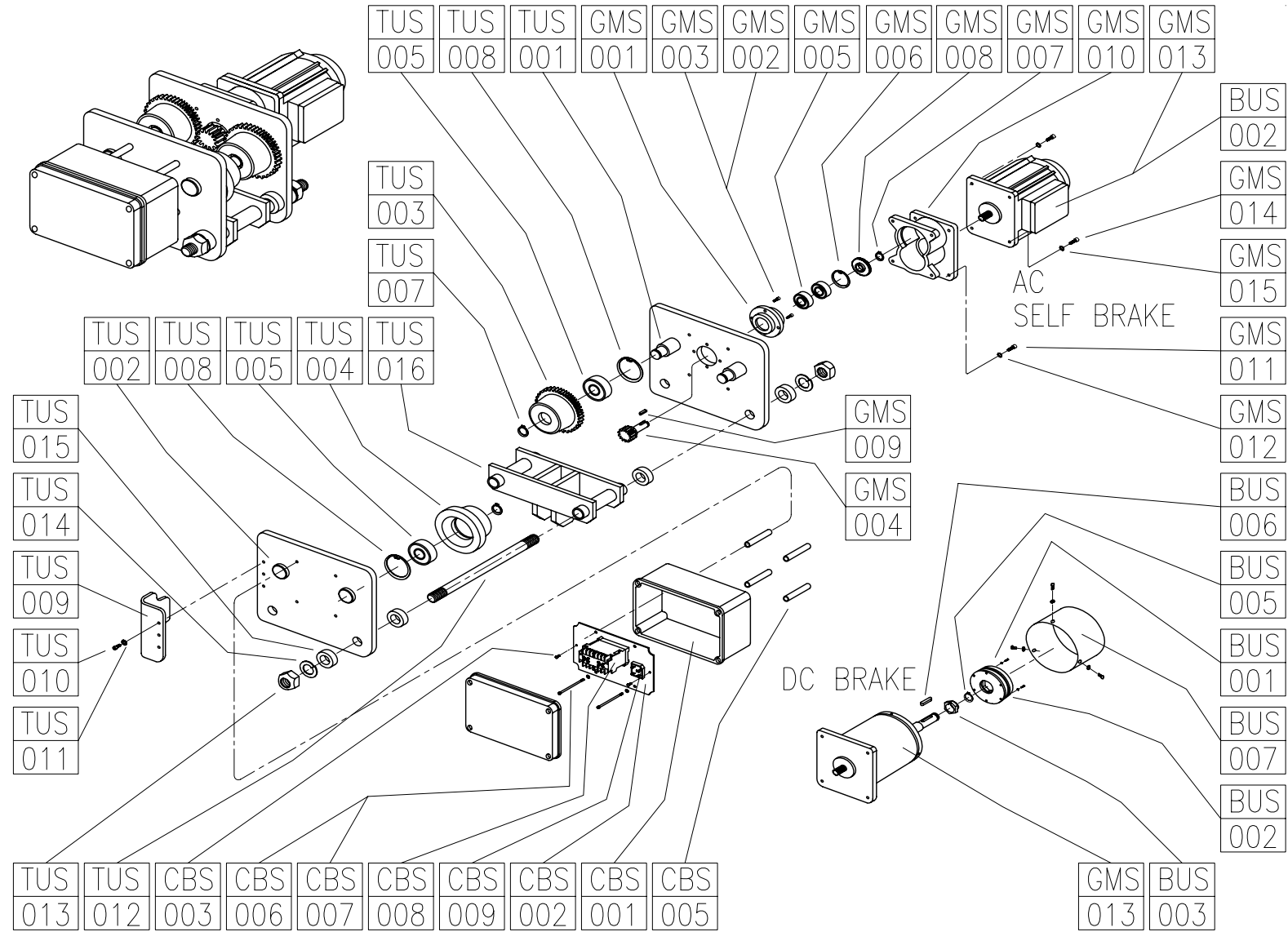
# Exploded View of Chain hoist Parts C-FRAME (3, 5 Ton)

GBS: GEAR BOX  
 THS: TOP HOOK  
 BKS: BRAKE  
 MOS: MOTOR  
 CFS: CENTER FRAME

BHS: BOTTOM HOOK



# Exploded View of Motor Trolley Parts



## CENTER FRAME ASSEMBLY

PRINTED : 2010. 03. 31

PARTS No.	PARTS NAME	DIMENSIONS	TYPE	PRICE(W)	PRICE(\$)	PARTS No.	PARTS NAME	DIMENSIONS	TYPE	PRICE(W)	PRICE(\$)
CFS001	MOTOR SIDE PLATE	4.5T*194*199.5	0.25-0.5TON			CFS017	CHAIN SLIDER BOLT	M8*24L	3-5TON		
		6T*229*279	1-2.5TON			CFS018	SPRING WASHER	M6	0.25-0.5TON		
		6T*244*285	1.5/3TON[2FALL]			CFS019	ROUND WASHER	M6	0.25-0.5TON		
		8T*284*330	3-5TON			CFS020	LOAD SHEAVE (WITH OIL SEAL)	Φ60*118.8L Φ70*118.8L Φ96*154L	0.25-0.5TON 1-2.5TON 1.5/3TON[2FALL] 3-5TON		
CFS002	BEARING	6204ZZ	0.25-0.5TON			CFS021	OIL SEAL	17*28*6	1-2.5TON		
		6008ZZ	1-2.5TON					17*28*6	1.5/3TON[2FALL]		
		6008ZZ	1.5/3TON[2FALL]					24*38*8	3-5TON		
		6210ZZ	3-5TON					CFS022	OIL SEAL	42*55*9 42*55*9 58*72*9	1-2.5TON 1.5/3TON[2FALL] 3-5TON
*CFS003-A	LOAD CHAIN GUIDE ASS'Y	FOR Φ5*15P FOR Φ7.1*21P FOR Φ8*24P FOR Φ11.2*34P	0.25-0.5TON 1-2.5TON 1.5/3TON[2FALL] 3-5TON			CFS023	GEAR SIDE PLATE	6T*279*299 6T*244*285 8T*330*330	1-2.5TON 1.5/3TON[2FALL] 3-5TON		
CFS003	LOAD CHAIN GUIDE	SCM415	0.25-0.5TON			CFS024	BERARING HOUSING-A	Φ45*12.5L	0.25-0.5TON		
		FCD45	1-2.5TON					Φ120*36L	1-2.5TON		
		FCD45	1.5/3TON[2FALL]					Φ130*35L	1.5/3TON[2FALL]		
		FCD45	3-5TON					Φ135*30.5	3-5TON		
CFS004	GUIDE ROLLER	Φ35*20	1-2.5TON			CFS025	HEX,SOCKETED BOLT	M6*20L	1-2.5TON		
		Φ42*20	1.5/3TON[2FALL]					M6*20L	1.5/3TON[2FALL]		
		Φ49*30	3-5TON					M8*20L	3-5TON		
CFS005	GUIDE ROLLER PIN	Φ12*66L	1-2.5TON			CFS026	SPRING WASHER	M6	1-2.5TON		
		Φ12*66L	1.5/3TON[2FALL]					M6	1.5/3TON[2FALL]		
		Φ12*92L	3-5TON					M8	3-5TON		
CFS006	HEX,SOCKETED BOLT	M8*55L	0.25-0.5TON			CFS027	BEARING	6003ZZ	0.25-0.5TON		
		M8*50L	1-2.5TON					6008ZZ	1-2.5TON		
		M8*50L	1.5/3TON[2FALL]					6008ZZ	1.5/3TON[2FALL]		
CFS007	HEX,SOCKETED BOLT	M6*35L	0.25-0.5TON			CFS028	BERARING HOUSING-B	Φ80*27L	1-2.5TON		
		M8*50L	1-2.5TON					Φ80*27L	1.5/3TON[2FALL]		
		M8*50L	1.5/3TON[2FALL]					Φ117*19.5L	3-5TON		
		M6*35L	3-5TON					CFS029	HEX,SOCKETED BOLT	M6*20L M6*20L M8*20L	1-2.5TON 1.5/3TON[2FALL] 3-5TON
CFS008	SPRING WASHER	M6 M8 M8 M6	0.25-0.5TON 1-2.5TON 1.5/3TON[2FALL] 3-5TON			CFS030	SPRING WASHER	M6 M6 M8	1-2.5TON 1.5/3TON[2FALL] 3-5TON		
CFS009	HEX,NUT	M6	0.25-0.5TON			CFS031	BEARING	6203ZZ	1-2.5TON		
CFS010	CHAIN SEPARATER	39.5*40.3*13.5	3-5TON					6203ZZ	1.5/3TON[2FALL]		
CFS011	LEVER SHAFT		3-5TON								
CFS012	LIMIT COUPLING	Φ20*20	3-5TON								
CFS013	GUIDE ROLLER BRACKET	80*60*43.5	3-5TON								
CFS014	SPRING HOLDER PIN	Φ12*91L	3-5TON								
CFS015	SPRING		3-5TON								
CFS016	CHAIN SLIDER		0.25-0.5TON								
		113*60*22	3-5TON								
CFS017	CHAIN SLIDER BOLT	M6*30L	0.25-0.5TON								







## BOTTOM HOOK ASSEMBLY

PRINTED : 2010. 03. 31

PARTS No.	PARTS NAME	DIMENSIONS	TYPE	PRICE(W)	PRICE(\$)	PARTS No.	PARTS NAME	DIMENSIONS	TYPE	PRICE(W)	PRICE(\$)		
*BHS001-A	BOTTOM HOOK ASS'Y	No.1~6	0.25-0.5T[1FALL]			BHS005	HEX,SOCKETED BOLT	M6*30	1-1.25TON				
		No.1~9	0.5TON[2FALLS]					M6*40	1.5TON				
		No.1~6	1-1.25TON[1FALL]					M8*35	2TON				
		No.1~6	1.5TON[1FALL]					M8*35	2.5TON				
		No.1~9	2-2.5TON[2FALLS]					M8*45	3TON[1FALL]				
		No.1~6	3TON[1FALL]					M8*35	3TON[2FALL]				
		No.1~9	3TON[2FALLS]					M10*40	5TON				
		No.1~9	5TON										
BHS001	BOTTOM HOOK		0.25-0.5T[1FALL] 0.5TON[2FALL] 1-1.25TON[1FALL] 1.5TON[1FALL] 2-2.5TON[2FALLS] 3TON[1FALL] 3TON[2FALLS] 5TON			BHS006	HEX.LOCK NUT	M6 M6 M6 M8 M8 M8 M8 M10	0.25-0.5T[1FALL] 0.5TON[2FALL] 1-1.25TON 1.5TON 2TON 2.5TON 3TON[1FALL] 3TON[2FALL] 5TON				
BHS002	THRUST BEARING	51101	0.25-0.5T[1FALL]			BHS007	IDLE SHEAVE (WITH BEARING)	Φ62*31L	0.5TON[2FALL]				
		51101	0.5TON[2FALL]					Φ73*36L	2-2.5TON[2FALL]				
		51104	1-1.25TON					Φ98*44L	3TON[2FALL]				
		51104	1.5TON					Φ139*50L	5TON[2FALL]				
		51105	2TON			BHS008	IDLE SHEAVE PIN	Φ14*48L	0.5TON[2FALL]				
		51105	2.5TON					Φ26*60L	2-2.5TON[2FALL]				
		51206	3TON[1FALL]					Φ25*76L	3TON[2FALL]				
		51206	3TON[2FALL]					Φ40*84L	5TON[2FALL]				
51307	5TON			BHS009	BEARING	HK1412 TA2616 6205ZZ NF208	0.5TON[2FALL] 2-2.5TON[2FALL] 3TON[2FALL] 5TON[2FALL]						
BHS003	HEX,NUT	M12	0.25-0.5T[1FALL]			*BHS010-A	SAFETY LATCH ASS'Y	No.10~13	0.25-1TON				
		M12	0.5TON[2FALL]					No.10~13	2-3TON				
		M20	1-1.25TON					No.10~13	5TON				
		M24	1.5TON										
		M24	2TON					BHS010	SAFETY LATCH		0.25-1TON 2-3TON 5TON		
		M24	2.5TON										
		Φ50*12	3TON[1FALL]										
		M27	3TON[2FALL]										
M36	5TON												
*BHS004	BOTTOM HOLDER SET		0.25-0.5T[1FALL]			BHS011	LATCH SPRING		0.25-1TON 2-3TON 5TON				
			0.5TON[2FALL]			BHS012	SET SCREW	3*20	0.25-1TON				
			1-1.25TON					3*25	2-3TON				
			1.5TON					5*35	5TON				
			2TON			BHS013	HEX,NUT	M3	0.25-1TON				
			2.5TON					M3	2-3TON				
	3TON[1FALL]			M5	5TON								
	3TON[2FALL]												
	5TON												
BHS005	HEX,SOCKETED BOLT	M6*25 M6*35	0.25-0.5T[1FALL] 0.5TON[2FALL]										

## GEAR BOX ASSEMBLY

PRINTED : 2010. 03. 31

PARTS No.	PARTS NAME	DIMENSIONS	TYPE	PRICE(W)	PRICE(\$)	PARTS No.	PARTS NAME	DIMENSIONS	TYPE	PRICE(W)	PRICE(\$)
GBS001	GEAR BOX	A-FRAME B-FRAME C-FRAME	0.25-0.5TON 1-3TON[2FALL] 3-5TON			GBS017	O-RING	Φ11 Φ12.5	0.25-0.5TON 1-3TON[2FALL]		
GBS002	SPRING PIN	Φ6*15L Φ6*15L Φ8*15L	0.25-0.5TON 1-3TON[2FALL] 3-5TON			GBS018	TORQUE ADJUSTING NUT	M12[1.25P] M12[1.25P]	0.25-0.5TON 1-3TON[2FALL]		
GBS003	GASKET		0.25-0.5TON 1-3TON[2FALL] 3-5TON			GBS019	2ND PINION	Φ26.8*99L Φ32.85*124.2L Φ35.31*116L	0.25-0.5TON 1-3TON[2FALL] 3-5TON		
GBS004	HEX, SOCKETED BOLT HEX, BOLT	M6*15L M12*30L	1-3TON[2FALL] 3-5TON			GBS020	SUNK KEY	5*5*25L 6*6*30L 10*8*30L	0.25-0.5TON 1-3TON[2FALL] 3-5TON		
GBS005	SPRING WASHER	Φ6 Φ12	1-3TON[2FALL] 3-5TON			GBS021	LOAD GEAR	Φ127.2*15 Φ112*24 Φ178.42*40	0.25-0.5TON 1-3TON[2FALL] 3-5TON		
GBS006	ROUND WASHER	Φ6 Φ12	1-3TON[2FALL] 3-5TON			GBS022	LOAD GEAR COLLAR	Φ48.6*38.4*6.2L Φ60*50.3*9L	1-3TON[2FALL] 3-5TON		
GBS007	DRIVING SHAFT	SCM415 SCM415	1-3TON[2FALL] 3-5TON			GBS023	SNAP RING	S20 S38 S50	0.25-0.5TON 1-3TON[2FALL] 3-5TON		
GBS008	BEARING	6202ZZ 6201ZZ 6305ZZ	0.25-0.5TON 1-3TON[2FALL] 3-5TON			GBS024	DISC SPRING	TF45*22*1.75 TF50*22.4*2.5 TF63*31*3.5	0.25-0.5T[2FALL] 0.5TON[1FALL] 1TON		
GBS009	BEARING	6004ZZ 6203ZZ 6303ZZ	0.25-0.5TON 1-3TON[2FALL] 3-5TON			GBS025	DU BUSH	DU3012 DU3512	0.25-0.5T 1-3TON[2FALL]		
GBS010	OIL SEAL	25*38*7	1-3TON[2FALL]			GBS026	OIL CAP	PF3/8 PF3/8	1-3TON[2FALL] 3-5TON		
GBS011	1ST GEAR (WITH BEARING)	Φ96*10L Φ125.4*12.4L Φ195.516*35L	0.25-0.5TON 1-3TON[2FALL] 3-5TON			GBS027	OIL DRAIN PLUG	M10*15[P1.25] M10*15[P1.25]	1-3TON[2FALL] 3-5TON		
GBS012	FRICTION HUB-A	Φ70*11.5L Φ109*15L	0.25-0.5TON 1-3TON[2FALL]			GBS028	BEARING	6003ZZ	0.25-0.5T		
GBS013	FRICTION HUB-B	Φ70*15.5L Φ109*15L	0.25-0.5TON 1-3TON[2FALL]			GBS029	GEAR BOX COVER (WITH GBS015)	203*212	0.25-0.5T		
GBS014	FRICTION LINING	Φ70*3L Φ114*1L	0.25-0.5TON 1-3TON[2FALL]			GBS030	HEX NUT	M8	0.25-0.5T		
GBS015	HUB SUPPORTER	Φ50*13L Φ39*10.2L	0.25-0.5TON 1-3TON[2FALL]			GBS031	HEX, SOCKETED BOLT	M6*15L	0.25-0.5T		
GBS016	PRESSURE COLLAR	Φ22*15L Φ25*11.5L	0.25-0.5TON 1-3TON[2FALL]			GBS032	SPRING WASHER	M6	0.25-0.5T		
						GBS033	HEX, SOCKETED BOLT	M5*25L	0.25-0.5T		
						GBS034	SPRING WASHER	M5	0.25-0.5T		
						GBS035	SPRING PIN	Φ6*15L	0.25-0.5TON		

## ELECTRICAL EQUIPMENT ASSEMBLY

PRINTED : 2010. 03. 31

PARTS No.	PARTS NAME	DIMENSIONS	TYPE	PRICE(W)	PRICE(\$)	PARTS No.	PARTS NAME	DIMENSIONS	TYPE	PRICE(W)	PRICE(\$)
EES001	ELEC. EQUIPMENT PLATE		0.25-0.5T 1-3TON[2FALL] 3-5TON			EES013	CABLE GRAND-A	PG16	3-5TON		
						EES014	CABLE GRAND-B	PG21	3-5TON		
						EES015	DPSR	1S-3P	3-5TON		
EES002	HEX,SOCKETED BOLT	M5*10L M5*10L	1-3TON[2FALL] 3-5TON			EES016	CAM SWITCH (WITH EES018)	20A	3-5TON		
EES003	SPRING WASHER	M5 M5	1-3TON[2FALL] 3-5TON			EES017	HEX,SOCKETED BOLT	M6*30L	3-5TON		
EES004	PACKING	CASE COVER	0.25-0.5T 1-3TON[2FALL] 3-5TON			EES018	CAM SWITCH BRACKET		3-5TON		
						EES019	CAM SWITCH COLLAR		3-5TON		
EES005	MAGNET CONTACTOR	GMC12 GMC22 GMC12/4 2A2B GMC22/4 2A2B DMH10 DMH20	0.25-3T[2FALL] 3-5TON 1-2T 2SPEED 3-5T 2SPEED 0.25-3T[2FALL] 0.25-3T[3FALL]			EES020	PUSH BUTTON CABLE	1.25*3C 1.25*7C 1.25*10C	0.25-5TON 0.25-5TON 0.25-5TON		
EES006	SET SCREW	M4*15L	0.25-5T			EES021	CABLE CLAMP	EYE BOLT[M8]	0.25-5TON		
EES007	TRANSFORMER	30VA 40VA	0.25-3TON[2FALL] 3-5TON			EES022	HEX NUT	M8	0.25-5TON		
EES008	SET SCREW	M4*5L	0.25-5T			EES023	SPRING WASHER	M8	0.25-5TON		
EES009	DIODE RECTIFIER RECTIFIER	GBPC3510 SR60 SR60	0.25-0.5T 1-3TON[2FALL] 3-5TON			EES024	PUSH BUTTON SWITCH	1022SB 1024SBB 1026SBBB 1022SD 1024SDD 1026SDDD	0.25-5TON 0.25-5TON 0.25-5TON 0.25-5TON 0.25-5TON 0.25-5TON		
EES010	FUSE BOX	3P 3P 3P	0.25-0.5T 1-3TON[2FALL] 3-5TON			EES025	CONTROL BOX COVER		0.25-0.5T 1-3TON[2FALL] 3-5TON		
EES011	FUSE	2A 2A 2A	0.25-0.5T 1-3TON[2FALL] 3-5TON			EES026	HEX,SOCKETED BOLT	M6*30L M6*20L M5*20L	0.25-0.5T 1-3TON[2FALL] 3-5TON		
EES012	SET SCREW	M4*10L M4*10L M4*10L	0.25-0.5T 1-3TON[2FALL] 3-5TON			EES027	SPRING WASHER	M6 M6 M5	0.25-0.5T 1-3TON[2FALL] 3-5TON		
EES013	CABLE GRAND-A	PG16 PG16	0.25-0.5T 1-3TON[2FALL]			EES028	LOAD LIMITER	ALD-80	0.25-5TON		
						EES029	SET SCREW	M4*15L	0.25-5TON		

## HOIST MOTOR ASSEMBLY

PRINTED : 2010. 03. 31

PARTS No.	PARTS NAME	DIMENSIONS	TYPE	PRICE(W)	PRICE(\$)	PARTS No.	PARTS NAME	DIMENSIONS	TYPE	PRICE(W)	PRICE(\$)
MOS000	HOIST MOTOR ASS'Y	3Φ-0.5KW4P*60Hz (3Φ-0.42KW4P*50Hz)	0.25-0.5T[2FALL]			BKS000	HOIST BRAKE ASS'Y	DC BRAKEΦ97*90V	0.25-0.5T		
		3Φ-1.1KW4P*60Hz (3Φ-0.91KW4P*50Hz)	0.5T[1FALL]					DC BRAKEΦ140*90V	1-3TON[2FALL]		
		3Φ-1.5KW4P*60Hz (3Φ-1.25KW4P*50Hz)	1-2.5T[2FALL]			BKS001	BRAKE COVER	Φ142*60L	0.25-0.5T		
		3Φ-2.5KW4P*60Hz (3Φ-2.1KW4P*50Hz)	1.5-3T[2FALL]					175*175	1-3TON[2FALL]		
		3Φ-3.5KW4P*60Hz (3Φ-2.9KW4P*50Hz)	3-5T[2FALL]			BKS002	HEX,SOCKETED BOLT	M5*10L	0.25-0.5T		
		3Φ-1.5KW/0.75KW*60Hz (3Φ-1.25KW/0.63KW*50Hz)	1-2.5T[2FALL]					M5*15L	1-3TON[2FALL]		
		3Φ-3.5KW/1.75KW*60Hz (3Φ-2.9KW/1.46KW*50Hz)	3-5T[2FALL]			BKS003	SPRING WASHER	M6*30L	3-5TON		
		1Φ-1.5KW4P*60Hz (1Φ-1.25KW4P*50Hz)	1-2T[2FALL]					M5	0.25-0.5T		
		1Φ-0.5KW4P*60Hz (1Φ-0.42KW4P*50Hz)	0.25-0.5T[2FALL]			M5	1-3TON[2FALL]				
						M6	3-5TON				
				BKS004	LINNING HUB	Φ22*21	0.25-0.5T				
MOS001	SUNK KEY	4*4*14RR	0.25-0.5T								
MOS002	SNAP RING	S12	0.25-0.5T								

## TROLLEY PART ASSEMBLY

PRINTED : 2010. 03. 31

PARTS No.	PARTS NAME	DIMENSIONS	TYPE	PRICE(W)	PRICE(\$)	PARTS No.	PARTS NAME	DIMENSIONS	TYPE	PRICE(W)	PRICE(\$)
TUS001	GEAR SIDE PLATE	8T*236*160 12T*280*210	0.25-1T 2-3TON 5TON			CBS006	HEX. SOCKETED BOLT	M6*80 M6*25	0.25-3T 5TON		
TUS002	PLAIN SIDE PLATE	Φ85*40L Φ135.5*51L Φ180*65L	0.25-1T 2-3TON 5TON			CBS007	SPRING WASHER	M6	0.25-5T		
TUS003	GEAR ROLLER (WITH BEARING)	Φ85*40L Φ135.5*51L Φ180*65L	0.25-1T 2-3TON 5TON			CBS008	MAGNETIC CONTACTOR	GMC12 GMC12	0.25-5T 0.25-5T		
TUS004	PLAIN ROLLER (WITH BEARING)	Φ85*40L Φ135.5*51L Φ180*65L	0.25-1T 2-3TON 5TON			CBS009	DIODE	GBPC3510	0.25-5T		
TUS005	BEARING	6302ZZ 6305ZZ 6206ZZ	0.25-1T 2-3TON 5TON			CBS010	CABLE GLAND	PG16	0.25-5T		
TUS007	SNAP RING-A	S15 S25 S30	0.25-1T 2-3TON 5TON			GMS000	TROLLEY MOTOR ASS'Y	0.4KW*50/60Hz[SELF] 0.4KW*50/60Hz[DC.BRAKE] DC BRAKE	0.25-2T 3-5T 3-5TON		
TUS008	SNAP RING-B	R42 R62 R62	0.25-1T 2-3TON 5TON			GMS001	BEARING HOUSING	Φ70*33L Φ108*39L	0.25-3T 5TON		
TUS009	*ANTI DROP BRACKET SET		0.25-1T 2-3TON 5TON			GMS002	HEX. SOCKETED BOLT	M6*10 M8*20	0.25-1T 2-5TON		
TUS010	*HEX. SOCKETED BOLT	M8*25	0.25-5T			GMS003	SPRING WASHER	M6 M8	0.25-1T 2-5TON		
TUS011	*SPRING WASHER	M8	0.25-5T			GMS004	PINION	Φ33.5*70L Φ32*70L Φ37*83L	0.25-1T 2-3TON 5TON		
TUS012	STAY BOLT	Φ20*230[S45C] Φ24*280[S45C] Φ36*360[S45C]	0.25-1T 2-3TON 5TON			GMS005	BEARING	6004ZZ 6005ZZ	0.25-3T 5TON		
TUS013	HEX. NUT	M20 M24 M36	0.25-1T 2-3TON 5TON			GMS006	SNAP RING-C	R42 R47	0.25-3T 5TON		
TUS014	SPRING WASHER	M20 M24 M36	0.25-1T 2-3TON 5TON			GMS007	SNAP RING-D	S20 S25	0.25-3T 5TON		
TUS015	ADJUST COLLAR	Φ22*Φ15.5*12.5 Φ45*Φ26*12.5 Φ60.5*Φ36.5*12.5	0.25-1T 2-3TON 5TON			GMS008	PINION GEAR	Φ65.5*18L Φ97.5*19L	0.25-3T 5TON		
TUS016	HOLDER	215*50 220*50 260*65	0.25-0.5T 1TON 2-3TON 5TON			GMS009	SUNK KEY	6*6*15	0.25-5T		
CBS001	CONTROL BOX	ABS M95G ABS MH125G	0.25-5T 0.25-5T			GMS010	GEAR CASE	128*108 128*135	0.25-3TON 5TON		
CBS002	BASE PANEL		0.25-5T			GMS011	HEX. SOCKETED BOLT	M8*20 M8*25	0.25-1TON 2-5TON		
CBS003	SET SCREW	M4*10L	0.25-5T			GMS012	SPRING WASHER	M8	0.25-5TON		
CBS005	STUD PIPE	Φ12*Φ8*60L Φ12*Φ8*15L	0.25-3T 5TON			GMS013	TRAVERS MOTOR ASS'Y	0.4KW*4P	0.25-5TON		
						GMS014	HEX. SOCKETED BOLT	M8*25	0.25-5TON		
						GMS015	SPRING WASHER	M8	0.25-5TON		
						EPS000	ELECTRICAL PARTS				
						EPS001	LIMIT SWITCH	M904	0.25-5TON		
						EPS002	LIMIT S/W MOUNTING PLATE		0.25-5TON		
						EPS003	HEX. SOCKETED BOLT	M8*15	0.25-5TON		
						EPS004	SPRING WASHER	M8	0.25-5TON		
						BUS000	BRAKE ASSEMBLY	97	0.25-5TON		
						BUS001	MAGNET CORE		0.25-5TON		
						BUS002	BRAKE LINING		0.25-5TON		
						BUS003	BRAKE HUB	Φ22*21	0.25-5TON		
						BUS005	SNAP RING	S12	0.25-5TON		
						BUS006	SUNK KEY	4*4*14	0.25-5TON		
						BUS007	MOTOR REAR COVER		0.25-5TON		